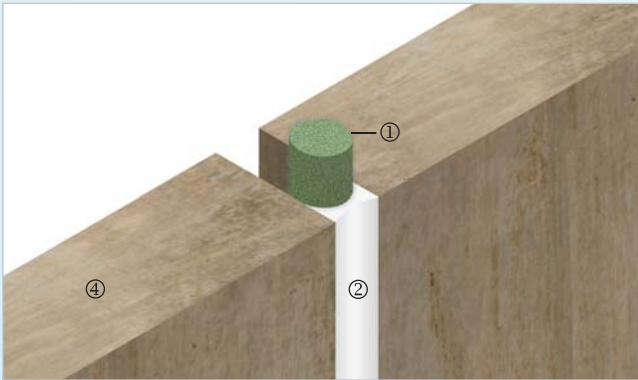




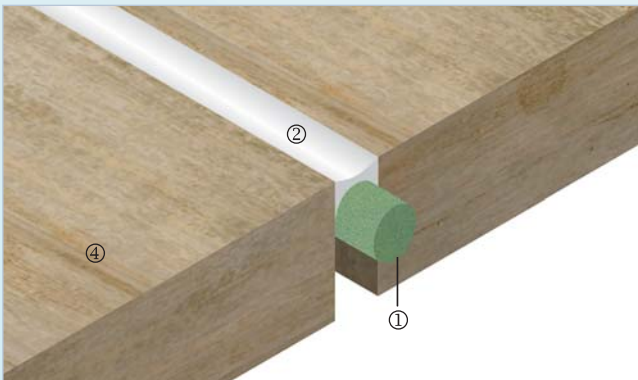
Intumex[®] IBS[™] - Applications



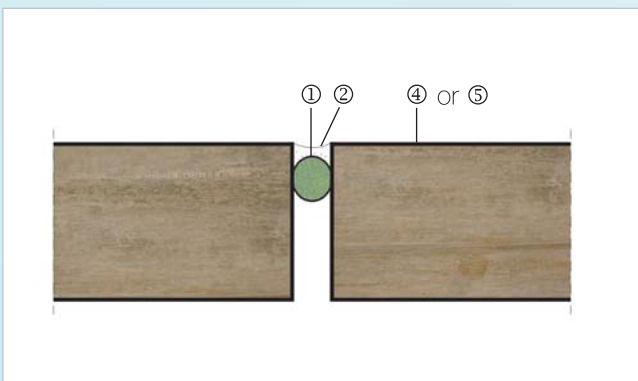
Intumex[®] IBS[™] - Joint sealing system for wall

- ① Intumex[®] IBS[™] Foam Strip of various thickness
- ② Acrylic, intumescent, silicone or Polyurethane sealant
- ③ Calcium silicate or gypsum boards
- ④ Masonry wall or partition
- ⑤ Concrete floor

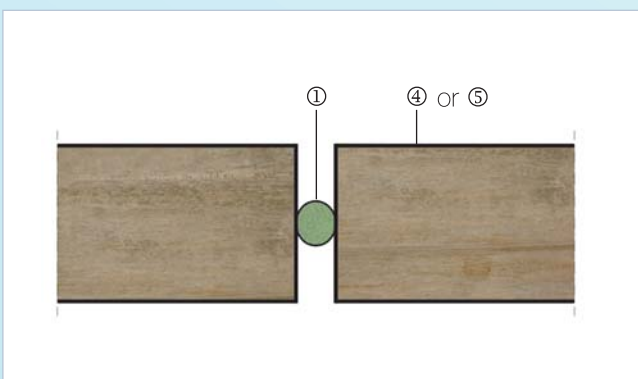
NOTE: The FRL will vary and applications are dependent on the barrier and the type and size of joint. Contact Intumex[®] for further details.



Intumex[®] IBS[™] - Joint sealing system for floor



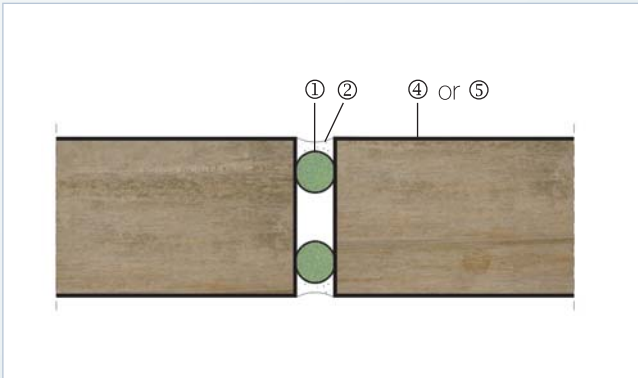
Intumex[®] IBS[™] - 1-sided application with acrylic sealant for wall and floor



Intumex[®] IBS[™] - 1-sided application without acrylic sealant for wall and floor



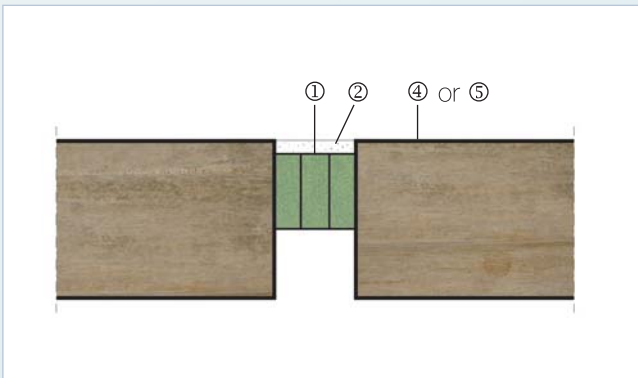
Intumex[®] IBS[™] - Applications



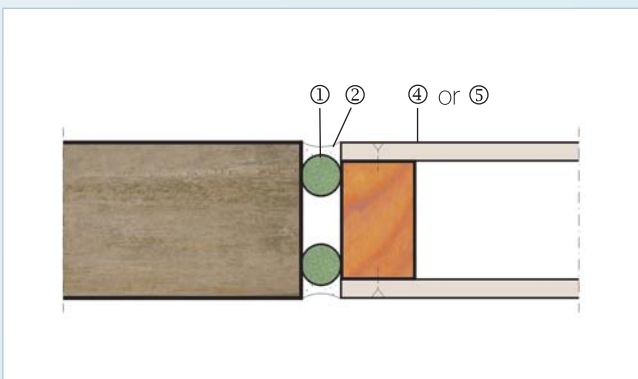
Intumex[®] IBS[™] - 2-sided application with acrylic sealant for wall

- ① Intumex[®] IBS[™] Foam Strip of various thickness
- ② Acrylic, intumescent, silicone or Polyurethane sealant
- ③ Calcium silicate or gypsum boards
- ④ Masonry wall or partition
- ⑤ Concrete floor
- ⑥ Steel channel support
- ⑦ Decorate edge trim

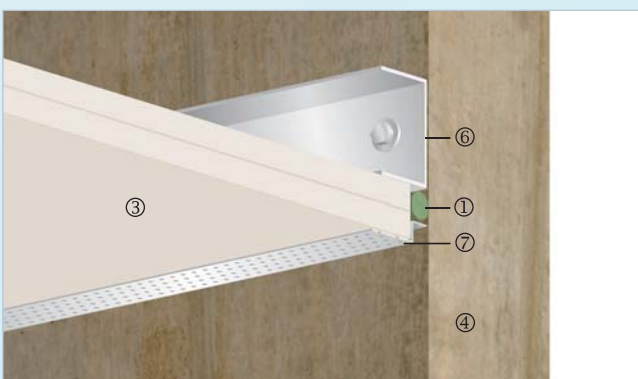
NOTE: The FRL will vary and applications are dependent on the barrier and the type and size of



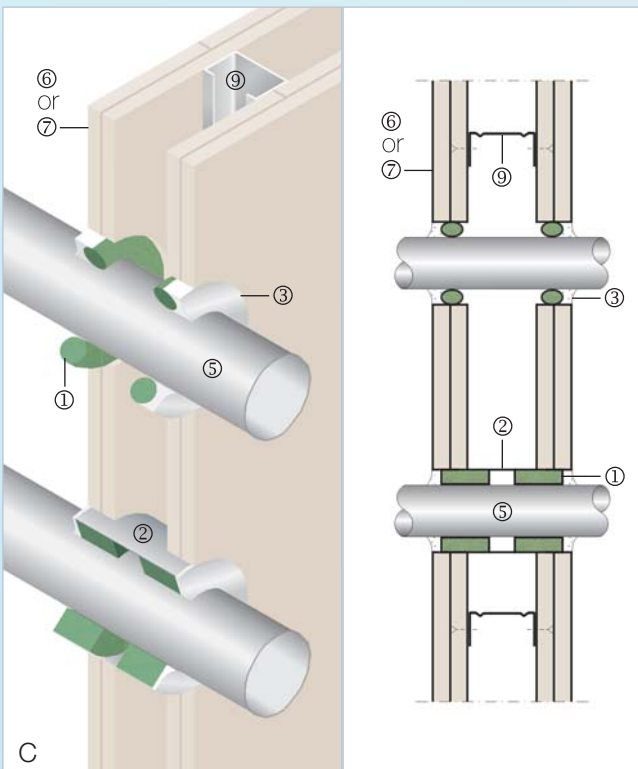
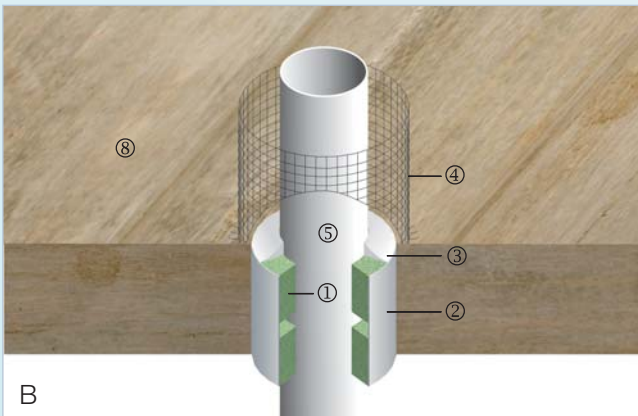
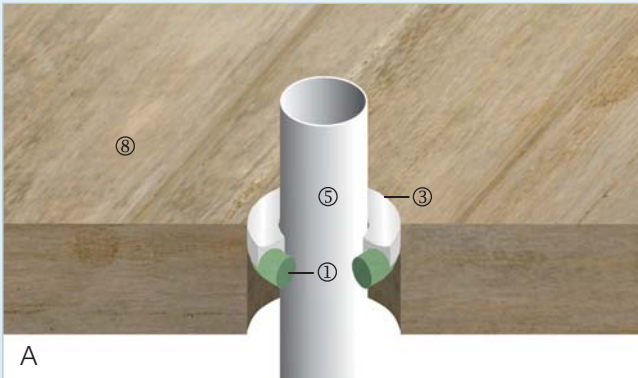
Intumex[®] IBS[™] - Larger gaps for wall and floor



Intumex[®] IBS[™] - 2-sided application with acrylic sealant for wall and partition



Intumex[®] IBS[™] - Shadowline detail for 1 hour fire rated ceilings



Metal Pipe Penetrations

Intumex[®] IBS[™] is of particular use where the size of the opening around services would result in the slumping of a sealant. It forms a slip joint at the service penetrations so that when services move, the integrity of the opening is maintained, unlike in many solid barriers where cracking can occur under these conditions.

For installation around cables, pipes, cable trays, fire dampers, fire walls and electrical switches refer to the drawings on the opposite page. Intumex[®] IBS[™] should be used for joins in IBS[™] or where there may be uneven surfaces.

Where joints or gaps uneven, the maximum gap width is to be taken and matched for the nominal IBS[™] size.

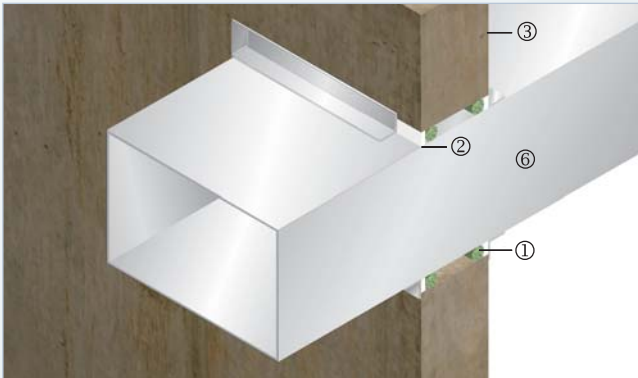
- ① Intumex[®] IBS[™] Foam Strip of various thickness
- ② Intumex[®] IBS[™] steel sleeve
- ③ Acrylic sealant
- ④ Insulation guard
Optional for use around pipe when combustible materials may come in contact with (or < 100mm from) metal pipes that are not insulated.
- ⑤ Metal pipes
- ⑥ Calcium silicate or gypsum boards
- ⑦ Masonry wall or partition
- ⑧ Concrete floor
- ⑨ Timber or steel stud

NOTE: The FRL will vary and applications are dependent on the barrier and the type and size of service. Contact Intumex for further details.

- A) Metal pipe penetration through concrete slab
- B) Metal pipe penetration through concrete slab with insulation guard
- C) Pipe penetration through lightweight partition system



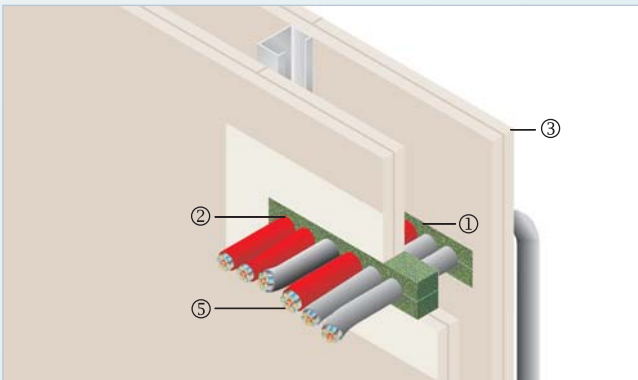
Intumex® IBS™ - Applications



Intumex® IBS™ - Duct penetration

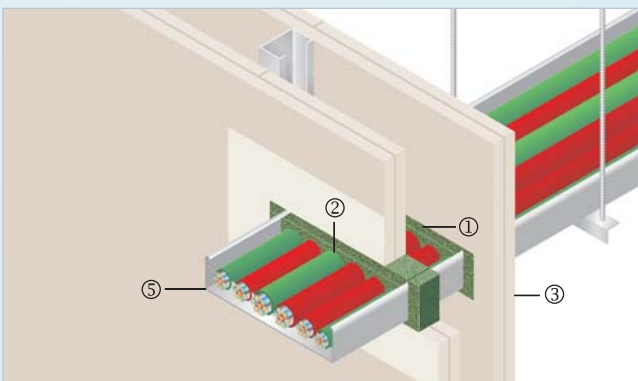
- ① Intumex® IBS™ Foam Strip of various thickness
- ② Acrylic sealant
- ③ Calcium silicate or gypsum boards
- ④ Timber or steel stud
- ⑤ Cables or cable tray
- ⑥ Ventilation ducts with hinged flap or drop shutter dampers

NOTE: The FRL will vary and applications are dependent on the barrier and the type and size of service. Contact Intumex for further details.



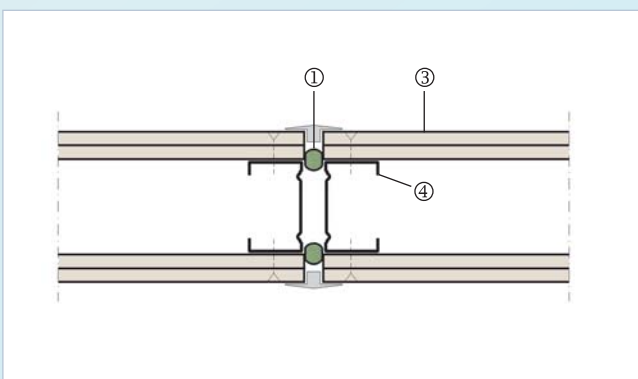
Intumex® IBS™ - Electrical cable

Single or bunches of electrical cables penetrating walls. Maximum opening size 110mm x 30mm. A 1mm-2mm cover of acrylic sealant must be applied over the IBS™ seal and for approximately 50mm on to the adjoining wall boards.



Intumex® IBS™ - Cable and cable tray

Electrical cables on cable trays penetrating walls. Maximum opening size 320mm x 95mm. A 1mm-2mm cover of acrylic sealant must be applied over the IBS™ seal and for approximately 50mm on to the adjoining wall boards.

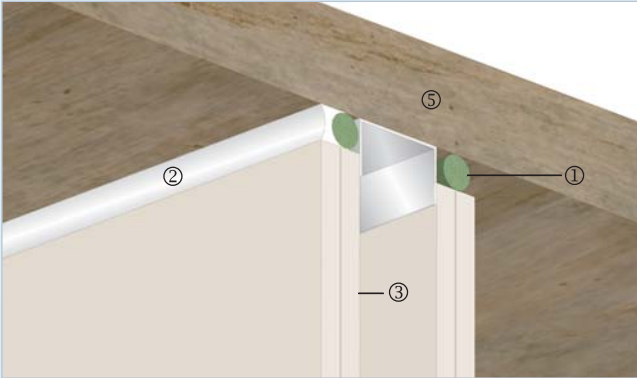


Intumex® IBS™ - Expansion joint

Expansion (control joints) for single and double layer board system.



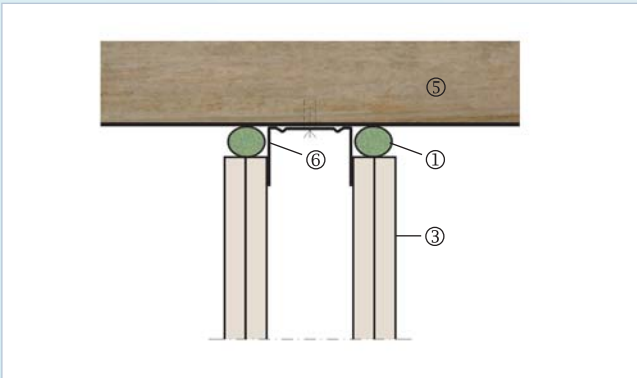
Intumex[®] IBS[™] - Applications



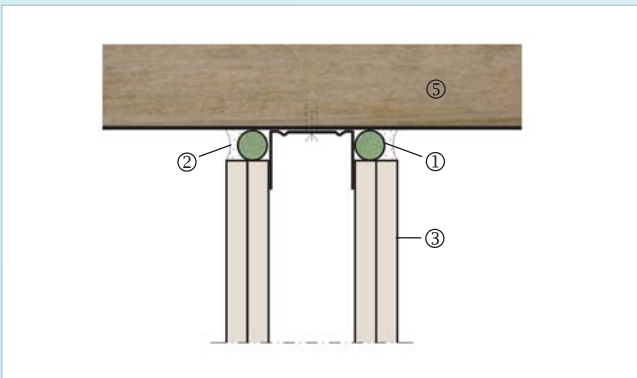
Intumex[®] IBS[™] - Deflection head

- ① Intumex[®] IBS[™] Foam Strip of various thickness
- ② Acrylic sealant
- ③ Calcium silicate or gypsum boards
- ④ Masonry wall or partition
- ⑤ Concrete floor
- ⑥ Steel track

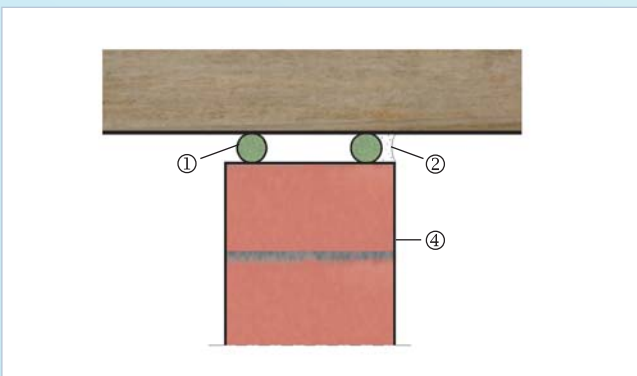
NOTE: The FRL will vary and applications are dependent on the barrier and the type and size of service. Contact Intumex for further details.



Intumex[®] IBS[™] - Standard dry wall



Intumex[®] IBS[™] - Acoustic dry wall



Intumex[®] IBS[™] - Brick wall

Installation for one sided access.